



* All images are for illustrative purposes only.

OUTDOOR LG LED SIGNAGE

GSCD Ultra Light Series



High Brightness



Lightweight Design



Easy Maintenance



Front or Rear Serviceability



90° Corner Design Available



IP Rated Weatherproof Design



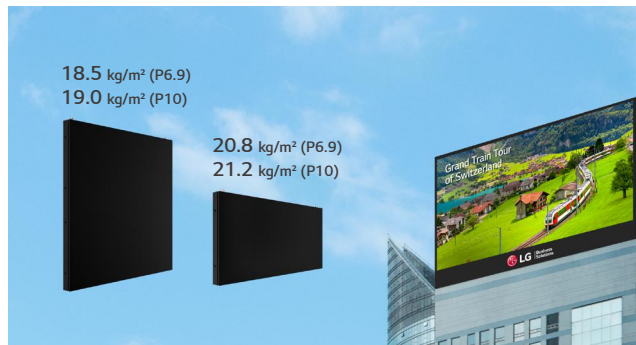
Compatibility with LG Software Solutions



High Brightness

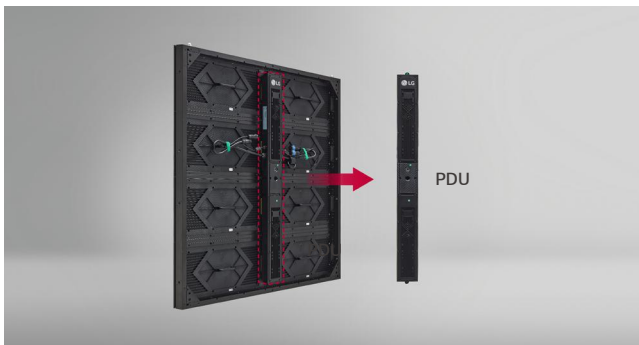
With a great brightness of 7,000 nits*, it clearly delivers content and attracts public attention, which is the ultimate display for outdoor visibility.

* GSCD100-GR series only



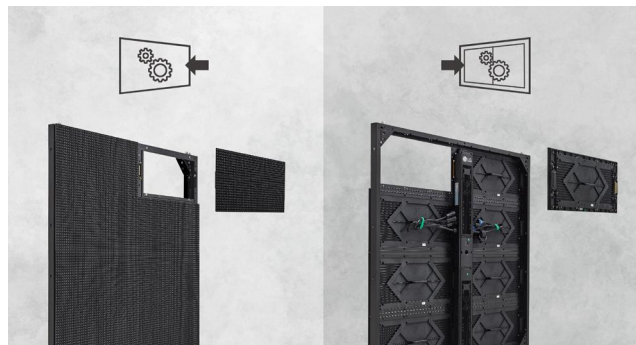
Lightweight Design

The weights of the cabinet is very light, so even if a large LED screen is installed on the roof, it puts less pressure on the building's load.



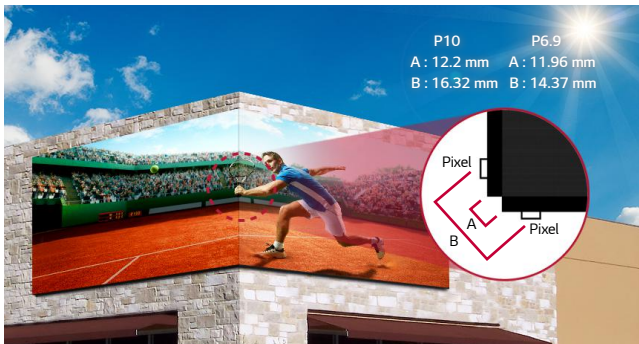
Easy Maintenance

The control unit (PDU) of the cabinet is a modular type which can be easily attached or detached, supporting easy maintenance.



Front or Rear Serviceability

The product offers either front access or rear access, allowing customers to choose installation options according to their environment.



90° Corner Design Available

If you add a 90° corner option*, the GSCD series can deliver content effectively even when installed on the corners.

* Require purchase of 90° corner installable model.



IP Rated Weatherproof Design

The front and back of the cabinet are IP65 certified, allowing stable operation less affected by weather.



Compatibility with LG Software Solutions

Powered by LG’s high performance system controller, the GSCD series is compatible with LG software solutions including SuperSign CMS, LED Assistant, and ConnectedCare, which help customers operate their own business flawlessly.

- * The availability of the 'LG ConnectedCare' service differs by region, and it needs to be purchased separately. So please contact the LG sales representative in your region for more details.
- * The items that can be monitored by LG ConnectedCare : Main Board (Temp, Signal Status, FPGA Ver, Ethernet Connection Status), Receiving Card (Temp, LED Power)

PRODUCT INFORMATION



GSCD Series

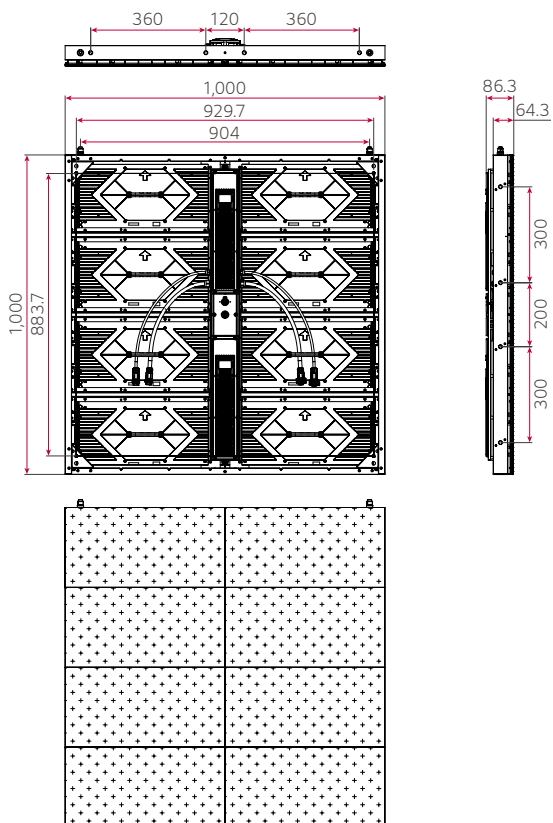
Pixel Pitch	6.94 / 10.41 / 12.50 mm
Brightness	5,000 / 7,000 nit
Cabinet Weight	18.5 / 10.4 kg (P6.9) 19.0 / 10.6 kg (P10, P12.5)
Serviceability	Front or Rear (Select One Only)
IP Rating	IP65

Cabinet	Pixel Pitch 6.9		Pixel Pitch 10		Pixel Pitch 12.5
	5,000 nit	7,000 nit	5,000 nit	7,000 nit	5,000 nit Only
1,000 × 1,000 mm	GSCD069-GN	GSCD069-GR	GSCD100-GN	GSCD100-GR	GSCD125-GN
1,000 × 500 mm	GSCD069-GN2	GSCD069-GR2	GSCD100-GN2	GSCD100-GR2	GSCD125-GN2
500 × 1,000 mm	GSCD069-GN3	GSCD069-GR3	GSCD100-GN3	GSCD100-GR3	GSCD125-GN3
500 × 500 mm	GSCD069-GN4	GSCD069-GR4	GSCD100-GN4	GSCD100-GR4	GSCD125-GN4

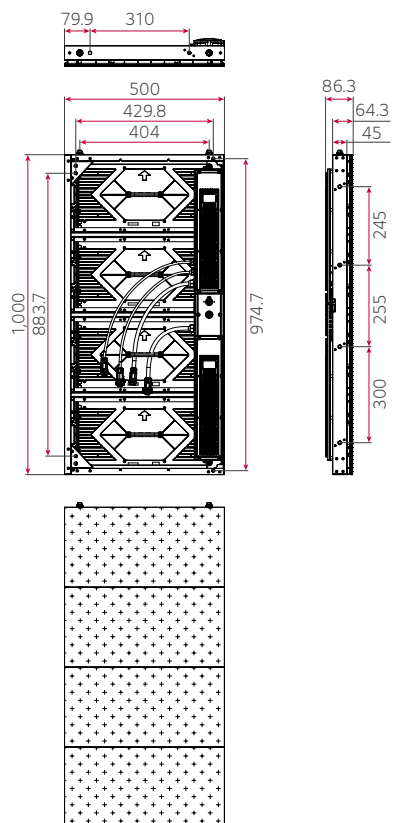
DIMENSION

(unit: mm)

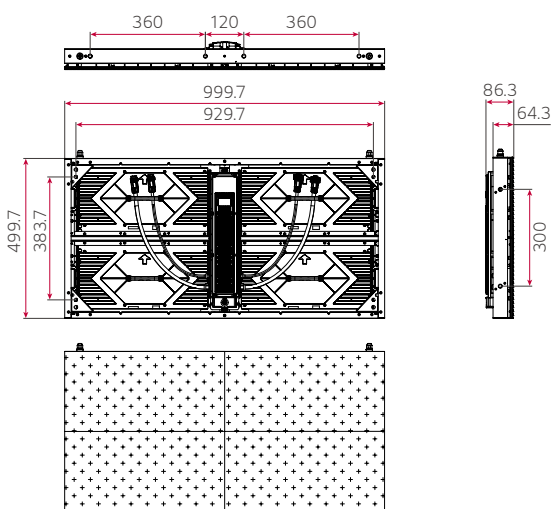
1,000 × 1,000



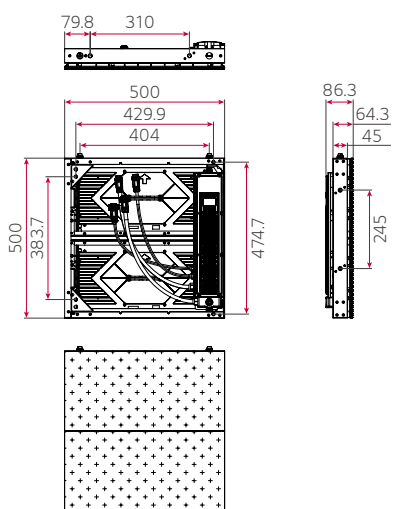
500 × 1,000



1,000 × 500



500 × 500



SPECIFICATIONS

(Pixel Pitch 6.9 / 5,000 nit)

Panel	Model Name	GSCD069-GN	GSCD069-GN2	GSCD069-GN3	GSCD069-GN4
	Pitch Name	P6.94	P6.94	P6.94	P6.94
Physical Parameters	Pixel Configuration	3 in 1	3 in 1	3 in 1	3 in 1
	Pixel Pitch (mm)	6.94	6.94	6.94	6.94
	Module Resolution (W × H)	72 × 36	72 × 36	72 × 36	72 × 36
	Module Dimensions (W × H, mm)	500 × 250	500 × 250	500 × 250	500 × 250
	Weight per Module (kg)	1.30	1.30	1.30	1.30
	No. of Modules per Cabinet (W × H)	2 × 4	2 × 2	1 × 4	1 × 2
	Cabinet Resolution (W × H)	144 × 144	144 × 72	72 × 144	72 × 72
	Cabinet Dimensions (W × H × D, mm)	1,000 × 1,000 × 84.4	1,000 × 500 × 84.4	500 × 1,000 × 84.4	500 × 500 × 84.4
	Cabinet Surface Area (m ²)	1.000	0.500	0.500	0.250
	Weight per Cabinet (kg/Cabinet)	18.5	10.4	11.2	6.2
	Weight per Square Meter (kg/m ²)	18.5	20.8	22.4	24.8
	Physical Pixel Density (pixels/m ²)	20,736	20,736	20,736	20,736
	Flatness of Cabinet (mm)	±0.5	±0.5	±0.5	±0.5
	Cabinet Material	Aluminum Profile	Aluminum Profile	Aluminum Profile	Aluminum Profile
Service Access	Front or Rear (Select One Only)	Front or Rear (Select One Only)	Front or Rear (Select One Only)	Front or Rear (Select One Only)	
Optical Specifications	Max. Brightness (After Calibration, nit)	5,000	5,000	5,000	5,000
	Color Temperature (K)	3,200-9,300	3,200-9,300	3,200-9,300	3,200-9,300
	Visual Viewing Angle (H × V)	160 × 134	160 × 134	160 × 134	160 × 134
	Brightness Uniformity	97%	97%	97%	97%
	Color Uniformity	±0.003 Cx, Cy	±0.003 Cx, Cy	±0.003 Cx, Cy	±0.003 Cx, Cy
	Contrast Ratio	6,000 : 1	6,000 : 1	6,000 : 1	6,000 : 1
	Processing Depth (bit)	16 (HDR10, HDR10 Pro)	16 (HDR10, HDR10 Pro)	16 (HDR10, HDR10 Pro)	16 (HDR10, HDR10 Pro)
Electrical Specifications	Power Consumption (W/Cabinet, Max.)	680	340	340	170
	Power Consumption (W/Cabinet, Avg.)	226	114	114	56
	Power Consumption (W/m ² , Max.)	680	680	680	680
	Heat Dissipation (BTU/h/Cabinet, Max.)	2,320	1,160	1,160	580
	Heat Dissipation (BTU/h/Cabinet, Avg.)	771	389	389	191
	Heat Dissipation (BTU/h/m ² , Max.)	2,320	2,320	2,320	2,320
	Power Supply (V)	100 to 240	100 to 240	100 to 240	100 to 240
	Frame Rate (Hz)	50 / 60	50 / 60	50 / 60	50 / 60
	Refresh Rate (Hz)	3,840	3,840	3,840	3,840
Operation Specifications	LED Lifetime (Half Brightness)	100,000	100,000	100,000	100,000
	Operating Temperature (°C)	-30 to +50	-30 to +50	-30 to +50	-30 to +50
	Operating Humidity	10-99% RH	10-99% RH	10-99% RH	10-99% RH
	IP Rating Front / Rear	IP65 / IP65	IP65 / IP65	IP65 / IP65	IP65 / IP65
Certification		CE / FCC / ETL	CE / FCC / ETL	CE / FCC / ETL	CE / FCC / ETL
Environment		RoHS	RoHS	RoHS	RoHS
Controller		CVCA	CVCA	CVCA	CVCA
90 Degree Corner Cut		Yes	Yes	No	No

* Signal redundancy is supported.

* Specifications are subject to change without notice. Please make sure to check the product manual for details about product usage.

SPECIFICATIONS

(Pixel Pitch 6.9 / 7,000 nit)

Panel	Model Name	GSCD069-GR	GSCD069-GR2	GSCD069-GR3	GSCD069-GR4
	Pitch Name	P6.94	P6.94	P6.94	P6.94
Physical Parameters	Pixel Configuration	3 in 1	3 in 1	3 in 1	3 in 1
	Pixel Pitch (mm)	6.94	6.94	6.94	6.94
	Module Resolution (W × H)	72 × 36	72 × 36	72 × 36	72 × 36
	Module Dimensions (W × H, mm)	500 × 250	500 × 250	500 × 250	500 × 250
	Weight per Module (kg)	1.30	1.30	1.30	1.30
	No. of Modules per Cabinet (W × H)	2 × 4	2 × 2	1 × 4	1 × 2
	Cabinet Resolution (W × H)	144 × 144	144 × 72	72 × 144	72 × 72
	Cabinet Dimensions (W × H × D, mm)	1,000 × 1,000 × 84.4	1,000 × 500 × 84.4	500 × 1,000 × 84.4	500 × 500 × 84.4
	Cabinet Surface Area (m ²)	1.000	0.500	0.500	0.250
	Weight per Cabinet (kg/Cabinet)	18.5	10.4	11.2	6.2
	Weight per Square Meter (kg/m ²)	18.5	20.8	22.4	24.8
	Physical Pixel Density (pixels/m ²)	20,736	20,736	20,736	20,736
	Flatness of Cabinet (mm)	±0.5	±0.5	±0.5	±0.5
	Cabinet Material	Aluminum Profile	Aluminum Profile	Aluminum Profile	Aluminum Profile
Service Access	Front or Rear (Select One Only)	Front or Rear (Select One Only)	Front or Rear (Select One Only)	Front or Rear (Select One Only)	
Optical Specifications	Max. Brightness (After Calibration, nit)	7,000	7,000	7,000	7,000
	Color Temperature (K)	3,200-9,300	3,200-9,300	3,200-9,300	3,200-9,300
	Visual Viewing Angle (H × V)	160 × 134	160 × 134	160 × 134	160 × 134
	Brightness Uniformity	97%	97%	97%	97%
	Color Uniformity	±0.003 Cx, Cy	±0.003 Cx, Cy	±0.003 Cx, Cy	±0.003 Cx, Cy
	Contrast Ratio	10,000 : 1	10,000 : 1	10,000 : 1	10,000 : 1
	Processing Depth (bit)	16 (HDR10, HDR10 Pro)	16 (HDR10, HDR10 Pro)	16 (HDR10, HDR10 Pro)	16 (HDR10, HDR10 Pro)
Electrical Specifications	Power Consumption (W/Cabinet, Max.)	680	340	340	170
	Power Consumption (W/Cabinet, Avg.)	226	114	114	56
	Power Consumption (W/m ² , Max.)	680	680	680	680
	Heat Dissipation (BTU/h/Cabinet, Max.)	2,320	1,160	1,160	580
	Heat Dissipation (BTU/h/Cabinet, Avg.)	771	389	389	191
	Heat Dissipation (BTU/h/m ² , Max.)	2,320	2,320	2,320	2,320
	Power Supply (V)	100 to 240	100 to 240	100 to 240	100 to 240
	Frame Rate (Hz)	50 / 60	50 / 60	50 / 60	50 / 60
	Refresh Rate (Hz)	3,840	3,840	3,840	3,840
Operation Specifications	LED Lifetime (Half Brightness)	100,000	100,000	100,000	100,000
	Operating Temperature (°C)	-30 to +50	-30 to +50	-30 to +50	-30 to +50
	Operating Humidity	10-99% RH	10-99% RH	10-99% RH	10-99% RH
	IP Rating Front / Rear	IP65 / IP65	IP65 / IP65	IP65 / IP65	IP65 / IP65
Certification		CE / FCC / ETL	CE / FCC / ETL	CE / FCC / ETL	CE / FCC / ETL
Environment		RoHS	RoHS	RoHS	RoHS
Controller		CVCA	CVCA	CVCA	CVCA
90 Degree Corner Cut		Yes	Yes	No	No

* Signal redundancy is supported.

* Specifications are subject to change without notice. Please make sure to check the product manual for details about product usage.

SPECIFICATIONS

(Pixel Pitch 10 / 5,000 nit)

Panel	Model Name	GSCD100-GN	GSCD100-GN2	GSCD100-GN3	GSCD100-GN4
	Pitch Name	P10.41	P10.41	P10.41	P10.41
Physical Parameters	Pixel Configuration	3 in 1	3 in 1	3 in 1	3 in 1
	Pixel Pitch (mm)	10.41	10.41	10.41	10.41
	Module Resolution (W × H)	48 × 24	48 × 24	48 × 24	48 × 24
	Module Dimensions (W × H, mm)	500 × 250	500 × 250	500 × 250	500 × 250
	Weight per Module (kg)	1.30	1.30	1.35	1.35
	No. of Modules per Cabinet (W × H)	2 × 4	2 × 2	1 × 4	1 × 2
	Cabinet Resolution (W × H)	96 × 96	96 × 48	48 × 96	48 × 48
	Cabinet Dimensions (W × H × D, mm)	1,000 × 1,000 × 85.1	1,000 × 500 × 85.1	500 × 1,000 × 85.1	500 × 500 × 85.1
	Cabinet Surface Area (m ²)	1.000	0.500	0.500	0.250
	Weight per Cabinet (kg/Cabinet)	19.0	10.6	10.6	6.5
	Weight per Square Meter (kg/m ²)	19.0	21.2	21.2	26.0
	Physical Pixel Density (pixels/m ²)	9,216	9,216	9,216	9,216
	Flatness of Cabinet (mm)	±0.5	±0.5	±0.5	±0.5
	Cabinet Material	Aluminum Profile	Aluminum Profile	Aluminum Profile	Aluminum Profile
Service Access	Front or Rear (Select One Only)	Front or Rear (Select One Only)	Front or Rear (Select One Only)	Front or Rear (Select One Only)	
Optical Specifications	Max. Brightness (After Calibration, nit)	5,000	5,000	5,000	5,000
	Color Temperature (K)	3,200-9,300	3,200-9,300	3,200-9,300	3,200-9,300
	Visual Viewing Angle (H × V)	160 × 136	160 × 136	160 × 136	160 × 136
	Brightness Uniformity	97%	97%	97%	97%
	Color Uniformity	±0.003 Cx, Cy	±0.003 Cx, Cy	±0.003 Cx, Cy	±0.003 Cx, Cy
	Contrast Ratio	10,000 : 1	10,000 : 1	10,000 : 1	10,000 : 1
	Processing Depth (bit)	16 (HDR10, HDR10 Pro)	16 (HDR10, HDR10 Pro)	16 (HDR10, HDR10 Pro)	16 (HDR10, HDR10 Pro)
Electrical Specifications	Power Consumption (W/Cabinet, Max.)	650	330	330	165
	Power Consumption (W/Cabinet, Avg.)	216	110	110	55
	Power Consumption (W/m ² , Max.)	650	660	660	660
	Heat Dissipation (BTU/h/Cabinet, Max.)	2,218	1,126	1,126	563
	Heat Dissipation (BTU/h/Cabinet, Avg.)	737	375	375	188
	Heat Dissipation (BTU/h/m ² , Max.)	2,218	2,252	2,252	2,252
	Power Supply (V)	100 to 240	100 to 240	100 to 240	100 to 240
	Frame Rate (Hz)	50 / 60	50 / 60	50 / 60	50 / 60
	Refresh Rate (Hz)	3,840	3,840	3,840	3,840
Operation Specifications	LED Lifetime (Half Brightness)	100,000	100,000	100,000	100,000
	Operating Temperature (°C)	-30 to +50	-30 to +50	-30 to +50	-30 to +50
	Operating Humidity	10-99% RH	10-99% RH	10-99% RH	10-99% RH
	IP Rating Front / Rear	IP65 / IP65	IP65 / IP65	IP65 / IP65	IP65 / IP65
Certification	CE / FCC / ETL	CE / FCC / ETL	CE / FCC / ETL	CE / FCC / ETL	
Environment	RoHS	RoHS	RoHS	RoHS	
Controller	CVCA	CVCA	CVCA	CVCA	
90 Degree Corner Cut	Yes	Yes	No	No	

* Signal redundancy is supported.

* Specifications are subject to change without notice. Please make sure to check the product manual for details about product usage.

SPECIFICATIONS

(Pixel Pitch 10 / 7,000 nit)

Panel	Model Name	GSCD100-GR	GSCD100-GR2	GSCD100-GR3	GSCD100-GR4
	Pitch Name	P10.41	P10.41	P10.41	P10.41
Physical Parameters	Pixel Configuration	3 in 1	3 in 1	3 in 1	3 in 1
	Pixel Pitch (mm)	10.41	10.41	10.41	10.41
	Module Resolution (W × H)	48 × 24	48 × 24	48 × 24	48 × 24
	Module Dimensions (W × H, mm)	500 × 250	500 × 250	500 × 250	500 × 250
	Weight per Module (kg)	1.35	1.35	1.35	1.35
	No. of Modules per Cabinet (W × H)	2 × 4	2 × 2	1 × 4	1 × 2
	Cabinet Resolution (W × H)	96 × 96	96 × 48	48 × 96	48 × 48
	Cabinet Dimensions (W × H × D, mm)	1,000 × 1,000 × 85.1	1,000 × 500 × 85.1	500 × 1,000 × 85.1	500 × 500 × 85.1
	Cabinet Surface Area (m ²)	1.000	0.500	0.500	0.250
	Weight per Cabinet (kg/Cabinet)	19.0	10.6	10.6	6.5
	Weight per Square Meter (kg/m ²)	19.0	21.2	21.2	26.0
	Physical Pixel Density (pixels/m ²)	9,216	9,216	9,216	9,216
	Flatness of Cabinet (mm)	±0.5	±0.5	±0.5	±0.5
	Cabinet Material	Aluminum Profile	Aluminum Profile	Aluminum Profile	Aluminum Profile
Service Access	Front or Rear (Select One Only)	Front or Rear (Select One Only)	Front or Rear (Select One Only)	Front or Rear (Select One Only)	
Optical Specifications	Max. Brightness (After Calibration, nit)	7,000	7,000	7,000	7,000
	Color Temperature (K)	3,200-9,300	3,200-9,300	3,200-9,300	3,200-9,300
	Visual Viewing Angle (H × V)	160 × 136	160 × 136	160 × 136	160 × 136
	Brightness Uniformity	97%	97%	97%	97%
	Color Uniformity	±0.003 Cx, Cy	±0.003 Cx, Cy	±0.003 Cx, Cy	±0.003 Cx, Cy
	Contrast Ratio	14,000 : 1	14,000 : 1	14,000 : 1	14,000 : 1
	Processing Depth (bit)	16 (HDR10, HDR10 Pro)	16 (HDR10, HDR10 Pro)	16 (HDR10, HDR10 Pro)	16 (HDR10, HDR10 Pro)
Electrical Specifications	Power Consumption (W/Cabinet, Max.)	650	330	330	165
	Power Consumption (W/Cabinet, Avg.)	216	110	110	55
	Power Consumption (W/m ² , Max.)	650	660	660	660
	Heat Dissipation (BTU/h/Cabinet, Max.)	2,218	1,126	1,126	563
	Heat Dissipation (BTU/h/Cabinet, Avg.)	737	375	375	188
	Heat Dissipation (BTU/h/m ² , Max.)	2,218	2,252	2,252	2,252
	Power Supply (V)	100 to 240	100 to 240	100 to 240	100 to 240
	Frame Rate (Hz)	50 / 60	50 / 60	50 / 60	50 / 60
	Refresh Rate (Hz)	3,840	3,840	3,840	3,840
Operation Specifications	LED Lifetime (Half Brightness)	100,000	100,000	100,000	100,000
	Operating Temperature (°C)	-30 to +50	-30 to +50	-30 to +50	-30 to +50
	Operating Humidity	10-99% RH	10-99% RH	10-99% RH	10-99% RH
	IP Rating Front / Rear	IP65 / IP65	IP65 / IP65	IP65 / IP65	IP65 / IP65
Certification	CE / FCC / ETL	CE / FCC / ETL	CE / FCC / ETL	CE / FCC / ETL	
Environment	RoHS	RoHS	RoHS	RoHS	
Controller	CVCA	CVCA	CVCA	CVCA	
90 Degree Corner Cut	Yes	Yes	No	No	

* Signal redundancy is supported.

* Specifications are subject to change without notice. Please make sure to check the product manual for details about product usage.

SPECIFICATIONS

(Pixel Pitch 12.5)

Panel	Model Name	GSCD125-GN	GSCD125-GN2	GSCD125-GN3	GSCD125-GN4
	Pitch Name	P12.5	P12.5	P12.5	P12.5
Physical Parameters	Pixel Configuration	3 in 1	3 in 1	3 in 1	3 in 1
	Pixel Pitch (mm)	12.50	12.50	12.50	12.50
	Module Resolution (W × H)	40 × 20	40 × 20	40 × 20	40 × 20
	Module Dimensions (W × H, mm)	500 × 250	500 × 250	500 × 250	500 × 250
	Weight per Module (kg)	1.38	1.38	1.38	1.38
	No. of Modules per Cabinet (W × H)	2 × 4	2 × 2	1 × 4	1 × 2
	Cabinet Resolution (W × H)	80 × 80	80 × 40	40 × 80	40 × 40
	Cabinet Dimensions (W × H × D, mm)	1,000 × 1,000 × 86.3	1,000 × 500 × 86.3	500 × 1,000 × 86.3	500 × 500 × 86.3
	Cabinet Surface Area (m ²)	1.000	0.500	0.500	0.250
	Weight per Cabinet (kg/Cabinet)	19.0	10.6	10.6	6.5
	Weight per Square Meter (kg/m ²)	19.0	21.2	21.2	26.0
	Physical Pixel Density (pixels/m ²)	6,400	6,400	6,400	6,400
	Flatness of Cabinet (mm)	±0.5	±0.5	±0.5	±0.5
	Cabinet Material	Aluminum Profile	Aluminum Profile	Aluminum Profile	Aluminum Profile
Service Access	Front or Rear (Select One Only)	Front or Rear (Select One Only)	Front or Rear (Select One Only)	Front or Rear (Select One Only)	
Optical Specifications	Max. Brightness (After Calibration, nit)	5,000	5,000	5,000	5,000
	Color Temperature (K)	3,200-9,300	3,200-9,300	3,200-9,300	3,200-9,300
	Visual Viewing Angle (H × V)	160 × 113	160 × 113	160 × 113	160 × 113
	Brightness Uniformity	97%	97%	97%	97%
	Color Uniformity	±0.003 Cx, Cy	±0.003 Cx, Cy	±0.003 Cx, Cy	±0.003 Cx, Cy
	Contrast Ratio	20,000 : 1	20,000 : 1	20,000 : 1	20,000 : 1
	Processing Depth (bit)	14 (HDR10, HDR10 Pro)	14 (HDR10, HDR10 Pro)	14 (HDR10, HDR10 Pro)	14 (HDR10, HDR10 Pro)
Electrical Specifications	Power Consumption (W/Cabinet, Max.)	660	330	330	165
	Power Consumption (W/Cabinet, Avg.)	220	110	110	55
	Power Consumption (W/m ² , Max.)	660	660	660	660
	Heat Dissipation (BTU/h/Cabinet, Max.)	2,252	1,126	1,126	563
	Heat Dissipation (BTU/h/Cabinet, Avg.)	751	375	375	188
	Heat Dissipation (BTU/h/m ² , Max.)	2,252	2,252	2,252	2,252
	Power Supply (V)	100 to 240	100 to 240	100 to 240	100 to 240
	Frame Rate (Hz)	50 / 60	50 / 60	50 / 60	50 / 60
	Refresh Rate (Hz)	3,840	3,840	3,840	3,840
Operation Specifications	LED Lifetime (Half Brightness)	100,000	100,000	100,000	100,000
	Operating Temperature (°C)	-30 to +50	-30 to +50	-30 to +50	-30 to +50
	Operating Humidity	10-99% RH	10-99% RH	10-99% RH	10-99% RH
	IP Rating Front / Rear	IP65 / IP65	IP65 / IP65	IP65 / IP65	IP65 / IP65
Certification		CE / FCC / ETL	CE / FCC / ETL	CE / FCC / ETL	CE / FCC / ETL
Environment		RoHS	RoHS	RoHS	RoHS
Controller		CVCA	CVCA	CVCA	CVCA
90 Degree Corner Cut		Yes	Yes	No	No

* Signal redundancy is supported.

* Specifications are subject to change without notice. Please make sure to check the product manual for details about product usage.

SPECIFICATIONS (Controller)

Parameters	Model Name	CVCA
Max Output Range	Loading Capacity	3,840 × 2,160 @ 60Hz
	Max Output Range	No
	Output Resolution	8.2944 Million Pixels
Input	HDMI	HDMI 2.0
	HDCP	HDCP 2.2
	DP	DP 1.2 / HDCP 2.2
	DVI	No
	SDI	No
	OPS	Yes
Output	HDMI	No
	DP	No
	DVI	No
	Optic (To LED Screen)	No
	Ethernet (To LED Screen)	Yes (1 6-channel)
	SDI	No
Control	LAN	Yes
	USB	No
	RS-232C	Yes (LOOP)
	GenLock	No
Sensor	Ambient Light	No
	Temperature	Yes
Video Processing	Brightness Adjustment	Yes
	Chroma Adjustment	Yes
	Improved Grayscale at Low Brightness	Yes
	Scaling	Yes
	HDR	HDR10 Pro
	EDID Custom	No
Application	CMS	SuperSign CMS
	webOS API	Yes
	LG ConnectedCare	Yes
	Configuration SW	LED Assistant
Mechanical	Size (W × H × D, mm)	443 × 63 × 307.5
	Weight (kg)	4.9

* Specifications are subject to change without notice. Please make sure to check the product manual for details about product usage.



Download
LG C-Display+
Mobile App
Google Play Store

www.lg.com/global/business/information-display
www.youtube.com/c/LGCommercialDisplay
www.facebook.com/LGInformationDisplay
www.linkedin.com/company/lginformationdisplay
twitter.com/LG_ID_HQ

LG may make changes to specifications and product descriptions without notice. Copyright © 2022 LG Electronics Inc. All rights reserved. "LG Life's Good" is a registered trademark of LG Corp. The names of products and brands mentioned here may be the trademarks of their respective owners.

